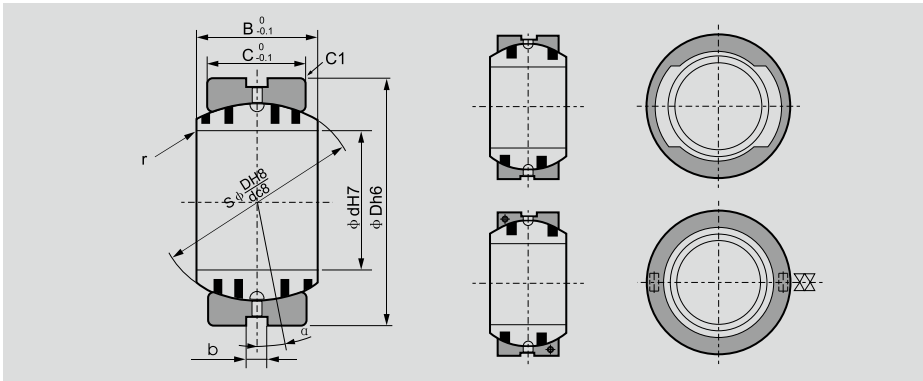




## EB65.08 自润球铰 EB65.08 Spherical Bushings



型号 Part No	Dimension							调整角度 Aligning angle $\sigma^\circ$	Type	
	$\phi d$	$\phi D$	B	C	$\phi G$	r	b			
EB65.08-015	15	26	12	9	22	R0.5	4	8	A	
EB65.08-020	20	32	16	14	28			4		
EB65.08-025	25	42	21	18	36			5		
EB65.08-030	30	50	27	23	44			6		
EB65.08-035	35	55	30	26	49			5		
EB65.08-040	40	62	33	28	55	6				
EB65.08-050	50	80	42	36	70	R1		5		B
EB65.08-060	60	100	53	45	90			6		
EB65.08-070	70	110	58	50	99			5		
EB65.08-080	80	130	70	60	115			6		
EB65.08-090	90	140	76	65	125			6		
EB65.08-100	100	160	88	75	145			6		