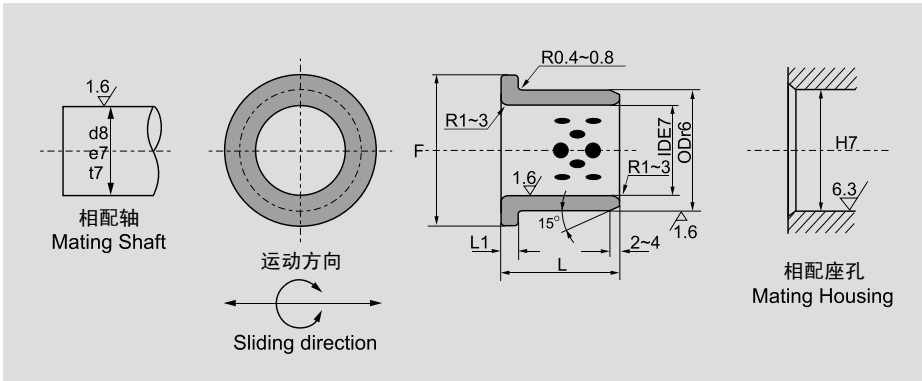




EB65.02 自润翻边轴套 EB65.02 Shoulder Bushings



d	D	IDE7	ODr6	F	L1 -0.10	L -0.10 -0.30												
						15	20	25	30	35	40	50	60	80	100			
10	14	10	+0.040 +0.025	14	+0.034 +0.023	22	2	1015	1020									
12	18	12		18		25		1215	1220									
13	19	13		19		26		1315	1320									
14	20	14	+0.050 +0.032	20		27	3	1415	1420									
15	21	15		21	+0.041 +0.028	28		1515	1520	1525	1530							
16	22	16		22		29		1615	1620	1625	1630							
20	30	20		30		40		2015	2020	2025	2030		2040					
25	35	25	+0.061 +0.040	35		45		2515	2520	2525	2530		2540					
30	40	30		40		50			3020	3025	3030	3035	3040	3050				
31.5	40	31.5		40	+0.050 +0.034	50			3120			3135						
35	45	35		45		60	5		3520			3530		3540	3550			
40	50	40	+0.075 +0.050	50		65			4020			4030		4040	4050			
45	55	45		55		70						4530		4540	4550	4560		
50	60	50		60	+0.060 +0.041	75						5030		5040	5050	5060		
55	65	55		65		80							5540		5560			
60	75	60		75		90						6040	6050			6080		
63	75	63		75	+0.062 +0.043	85	7.5									6367		
70	85	70	+0.090 +0.060	85		105								7050		7080		
75	90	75		90	+0.073 +0.051	110										7560		
80	100	80		100		120										8060	8080	80100
90	110	90		110		130										9060	9080	
100	120	100		120	+0.076 +0.054	150	10										10080	100100
120	140	120	+0.107 +0.072	140	+0.088 +0.063	170											12080	120100