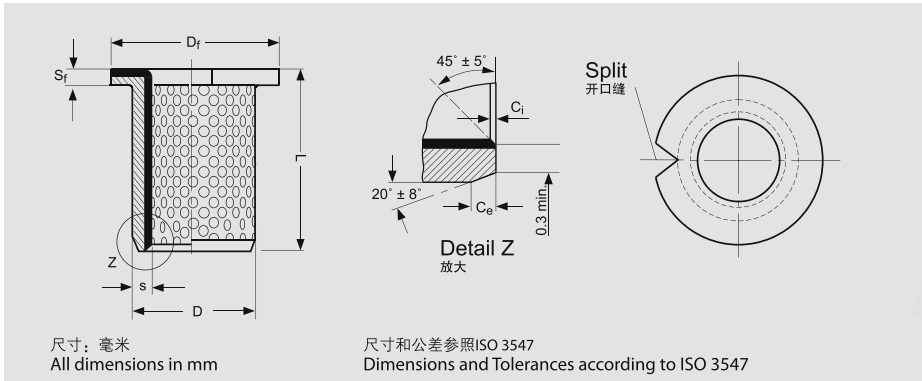




## 2.2 E93/E94 翻边规格及公差 E93/E94 Flange Bushing Specification & Tolerance



### 内外倒角尺寸表 Inside & Outside Chamfers

壁厚 Wall thickness S	内倒角 Inside Chamfer C <sub>i</sub>	外倒角 Outside Chamfer C <sub>e</sub>
1.00	0.30 ± 0.20	0.60 ± 0.40
1.50	0.40 ± 0.30	0.60 ± 0.40
2.00	0.40 ± 0.30	1.20 ± 0.40
2.50	0.60 ± 0.30	1.80 ± 0.60

### 翻边型号标注方式 Bushing Symbol

直套型号标注方式 Bushing Symbol	E9F - □	× ×	× ×
直套型号 Bushing Type			
直套内径 Bushing I. D.			
直套高度 Bushing Length			

内径 Internal Diameter			外径 External Diameter			法兰外径 Flang Φ D <sub>f</sub>	高度 Length	型号 Part No
内径 d	装配轴径 Shaft-Φ d <sub>s</sub>	装配后内孔尺寸 Φ d <sub>i</sub> (H9)	外径 D	装配座孔 Housing-Φ D <sub>H</sub>	理论外径公差 O.D. Φ D <sub>t</sub>		ID<80 L ± 0.25 ID>80 L ± 0.50	
25	24.980 24.947	25.052 25.000	28	28.021 28.000	+0.075 +0.035	35	15	E93F/E94F 2515
							20	E93F/E94F 2520
							25	E93F/E94F 2525
30	29.980 29.947	30.052 30.000	34	34.021 34.000	+0.075 +0.035	45	20	E93F/E94F 3020
							25	E93F/E94F 3025
							20	E93F/E94F 3020
35	34.975 34.936	35.062 35.000	39	39.025 39.000	+0.075 +0.035	50	20	E93F/E94F 3520
							25	E93F/E94F 3525
							30	E93F/E94F 3530
							35	E93F/E94F 3535
40	39.975 39.936	40.062 40.000	44	44.025 44.000	+0.085 +0.045	55	25	E93F/E94F 4025
							30	E93F/E94F 4030
							35	E93F/E94F 4035
							40	E93F/E94F 4040
45	44.975 44.936	45.062 45.000	50	50.025 50.000	+0.085 +0.045	60	30	E93F/E94F 4530
							35	E93F/E94F 4535
							40	E93F/E94F 4540
							50	E93F/E94F 4550



内径 Internal Diameter			外径 External Diameter			法兰外径 Flang $\Phi D_f$	高度 Length		型号 Part No
内径 d	装配轴径 Shaft- $\Phi d_s$	装配后内孔尺寸 $\Phi d_i(H9)$	外径 D	装配座孔 Housing- $\Phi D_H$	理论外径公差 O.D. $\Phi D_t$		ID<80 L $\pm 0.25$		
							ID>80 L $\pm 0.50$		
50	49.975 49.936	50.062 50.000	55	55.025 55.000	+0.085 +0.045	65	30	E93F/E94F 5030	
							35	E93F/E94F 5035	
							40	E93F/E94F 5040	
							50	E93F/E94F 5050	
55	54.970 54.924	55.074 55.000	60	60.030 60.000		70	30	E93F/E94F 5530	
							35	E93F/E94F 5535	
							40	E93F/E94F 5540	
							50	E93F/E94F 5550	
60	59.970 59.924	60.074 60.000	65	65.030 65.000		75	30	E93F/E94F 6030	
							35	E93F/E94F 6035	
							40	E93F/E94F 6040	
							50	E93F/E94F 6050	
							60	E93F/E94F 6060	
65	64.970 64.924	65.074 65.000	70	70.030 70.000		80	30	E93F/E94F 6530	
							35	E93F/E94F 6535	
							40	E93F/E94F 6540	
							50	E93F/E94F 6550	
							60	E93F/E94F 6560	
70	69.970 69.924	70.074 70.000	75	75.030 75.000	+0.100 +0.055	85	35	E93F/E94F 7035	
							40	E93F/E94F 7040	
							50	E93F/E94F 7050	
							60	E93F/E94F 7060	
							70	E93F/E94F 7070	
75	74.970 74.924	75.074 75.000	80	80.030 80.000		90	35	E93F/E94F 7535	
							40	E93F/E94F 7540	
							50	E93F/E94F 7550	
							60	E93F/E94F 7560	
							70	E93F/E94F 7570	
80	79.970 79.924	80.074 80.000	85	85.030 85.000		100	40	E93F/E94F 8040	
							50	E93F/E94F 8050	
							60	E93F/E94F 8060	
							70	E93F/E94F 8070	
							80	E93F/E94F 8080	
90	89.964 89.910	90.087 90.000	100	100.035 100.000	+0.120 +0.070	110	50	E93F/E94F 9050	
							60	E93F/E94F 9060	



内径 Internal Diameter			外径 External Diameter			法兰外径 Flang $\Phi D_f$	高度 Length	型号 Part No
内径 d	装配轴径 Shaft- $\Phi d_s$	装配后内孔尺寸 $\Phi d_i(H9)$	外径 D	装配座孔 Housing- $\Phi D_H$	理论外径公差 O.D. $\Phi D_t$		ID<80 L $\pm$ 0.25	
							ID>80 L $\pm$ 0.50	
95	94.964 94.910	95.087 95.000	100	100.035 100.000		115	70	E93F/E94F 9070
							80	E93F/E94F 9080
							90	E93F/E94F 9090
100	99.964 99.910	100.087 100.000	105	105.035 105.000		120	50	E93F/E94F 10050
							60	E93F/E94F 10060
							70	E93F/E94F 10070
							80	E93F/E94F 10080
							90	E93F/E94F 10090
110	109.964 109.910	110.087 110.000	115	115.035 110.000	+0.120 +0.070	130	50	E93F/E94F 11050
							60	E93F/E94F 11060
							70	E93F/E94F 11070
							80	E93F/E94F 11080
							90	E93F/E94F 11090
120	119.964 119.910	120.087 120.000	125	125.035 125.000		140	60	E93F/E94F 12060
							70	E93F/E94F 12070
							80	E93F/E94F 12080
							90	E93F/E94F 12090
130	129.957 129.894	130.100 130.000	135	135.040 135.000		155	60	E93F/E94F 13060
							70	E93F/E94F 13070
							80	E93F/E94F 13080
							90	E93F/E94F 13090
140	139.957 139.894	140.100 140.000	145	145.040 145.000		165	60	E93F/E94F 14060
							70	E93F/E94F 14070
							80	E93F/E94F 14080
							90	E93F/E94F 14090
150	149.957 149.894	150.100 150.000	155	155.040 155.000	+0.170 +0.100	180	60	E93F/E94F 15060
							70	E93F/E94F 15070
							80	E93F/E94F 15080
							90	E93F/E94F 15090
160	159.957 159.894	160.100 160.000	165	165.040 165.000		190	60	E93F/E94F 16060
							70	E93F/E94F 16070
							80	E93F/E94F 16080
							90	E93F/E94F 16090
170	169.957 169.894	170.100 170.000	175	175.040 175.000		200	60	E93F/E94F 17060
							70	E93F/E94F 17070



内径 Internal Diameter			外径 External Diameter			法兰外径 Flang $\Phi D_f$	高度 Length	型号 Part No
内径 d	装配轴径 Shaft- $\Phi d_s$	装配后内孔尺寸 $\Phi d_i(H9)$	外径 D	装配座孔 Housing- $\Phi D_H$	理论外径公差 O.D. $\Phi D_t$		ID<80 L $\pm$ 0.25	
							ID>80 L $\pm$ 0.50	
170	169.957 169.894	170.100 170.000	175	175.040 175.000	+0.170 +0.100	200	80	E93F/E94F 17080
							90	E93F/E94F 17090
180	179.957 179.894	180.100 180.000	185	185.040 185.000		215	60	E93F/E94F 18060
							70	E93F/E94F 18070
						215	80	E93F/E94F 18080
							90	E93F/E94F 18090
190	189.950 189.878	190.115 190.000	195	195.046 195.000		225	60	E93F/E94F 19060
							70	E93F/E94F 19070
							80	E93F/E94F 19080
							90	E93F/E94F 19090
200	199.950 199.878	200.115 200.000	205	205.046 205.000	+0.210 +0.130	235	60	E93F/E94F 20060
							70	E93F/E94F 20070
							80	E93F/E94F 20080
							90	E93F/E94F 20090
225	224.950 224.878	225.115 225.000	230	230.046 230.000		260	60	E93F/E94F 22560
							70	E93F/E94F 22570
							80	E93F/E94F 22580
							90	E93F/E94F 22590
250	249.950 249.878	250.115 250.000	255	255.046 255.000		290	60	E93F/E94F 25060
							70	E93F/E94F 25070
					80		E93F/E94F 25080	
					90		E93F/E94F 25090	
265	264.944 264.863	265.130 265.000	270	270.052 270.000	305	60	E93F/E94F 26560	
						70	E93F/E94F 26570	
						80	E93F/E94F 26580	
						90	E93F/E94F 26590	
285	284.944 284.863	285.130 285.000	290	290.052 290.000	325	60	E93F/E94F 28560	
						70	E93F/E94F 28570	
						80	E93F/E94F 28580	
						90	E93F/E94F 28590	
300	299.944 299.863	300.130 300.000	305	305.052 305.000	340	60	E93F/E94F 30060	
						70	E93F/E94F 30070	
						80	E93F/E94F 30080	
						90	E93F/E94F 30090	