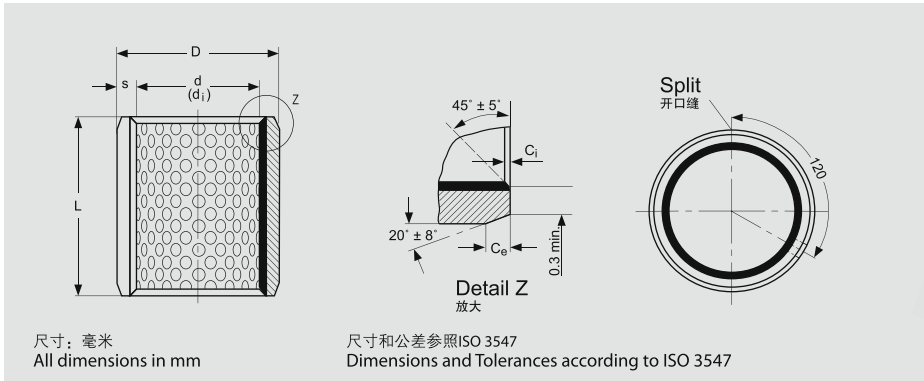




2.1 E93/E94 直套规格及公差 E93/E94 Sleeve Bushing Specification & Tolerance



内外倒角尺寸表 Inside & Outside Chamfers

壁厚 Wall thickness S	内倒角 Inside Chamfer C _i	外倒角 Outside Chamfer C _o
1.00	0.30 ± 0.20	0.60 ± 0.40
1.50	0.40 ± 0.30	0.60 ± 0.40
2.00	0.40 ± 0.30	1.20 ± 0.40
2.50	0.60 ± 0.40	1.80 ± 0.60

直套型号标注方式 Bushing Symbol

直套型号标注方式 Bushing Symbol	E9 - □	× ×	× ×
直套型号 Bushing Type			
直套内径 Bushing I. D.			
直套高度 Bushing Length			

内径 Internal Diameter			外径 External Diameter			高度 Length	型号 Part No
内径 d	装配轴径 Shaft- Φ D _s	装配后内孔尺寸 Φ d _i (H9)	外径 D	装配座孔 Housing- Φ D _H	理论外径公差 O.D. Φ D _i	ID < 80 L ± 0.25 ID > 80 L ± 0.50	
10	9.984 9.957	10.043 10.000	12	12.018 12.000	+0.065 +0.030	10	E93/E94 1010
						15	E93/E94 1015
						20	E93/E94 1020
12	11.984 11.957	12.043 12.000	14	14.018 14.000		10	E93/E94 1210
						15	E93/E94 1215
						20	E93/E94 1220
14	13.984 13.957	14.043 14.000	16	16.018 16.000		10	E93/E94 1410
						15	E93/E94 1415
						20	E93/E94 1420
15	14.984 14.957	15.043 15.000	17	17.018 17.000		25	E93/E94 1425
						10	E93/E94 1510
						15	E93/E94 1515
16	15.984 15.957	16.043 16.000	18	18.018 18.000	20	E93/E94 1520	
					25	E93/E94 1525	
					10	E93/E94 1610	
16	15.984 15.957	16.043 16.000	18	18.018 18.000	15	E93/E94 1615	
					20	E93/E94 1620	
					25	E93/E94 1625	



内径 Internal Diameter			外径 External Diameter			高度 Length	型号 Part No
内径 d	装配轴径 Shaft- Φd_s	装配后内孔尺寸 Φd_i (H9)	外径 D	装配座孔 Housing- ΦD_H	理论外径公差 O.D. ΦD_i	ID<80 L \pm 0.25 ID>80 L \pm 0.50	
18	17.984 17.957	18.043 18.000	20	20.018 20.000	+0.065 +0.030	10	E93/E94 1810
						15	E93/E94 1815
						20	E93/E94 1820
						25	E93/E94 1825
20	19.980 19.947	20.052 20.000	23	23.021 23.000		10	E93/E94 2010
						15	E93/E94 2015
						20	E93/E94 2020
						25	E93/E94 2025
22	21.980 21.947	22.052 22.000	25	25.021 25.000		10	E93/E94 2210
						15	E93/E94 2215
						20	E93/E94 2220
						25	E93/E94 2225
						30	E93/E94 2230
24	23.980 23.947	24.052 24.000	27	27.021 27.000		15	E93/E94 2415
						20	E93/E94 2420
						25	E93/E94 2425
						30	E93/E94 2430
25	24.980 24.947	25.052 25.000	28	28.021 28.000	+0.075 +0.035	15	E93/E94 2515
						20	E93/E94 2520
						25	E93/E94 2525
						30	E93/E94 2530
28	27.980 27.947	28.052 28.000	32	32.021 32.000		15	E93/E94 2815
						20	E93/E94 2820
						25	E93/E94 2825
						30	E93/E94 2830
30	29.980 29.947	30.052 30.000	34	34.021 34.000		15	E93/E94 3015
						20	E93/E94 3020
						25	E93/E94 3025
						30	E93/E94 3030
						35	E93/E94 3035
32	31.975 31.936	32.062 32.000	36	36.025 36.000	+0.085 +0.045	15	E93/E94 3215
						20	E93/E94 3220
						25	E93/E94 3225
						30	E93/E94 3230



内径 Internal Diameter			外径 External Diameter			高度 Length	型号 Part No
内径 d	装配轴径 Shaft- Φd_s	装配后内孔尺寸 Φd_i (H9)	外径 D	装配座孔 Housing- ΦD_H	理论外径公差 O.D. ΦD_t	ID<80 L \pm 0.25 ID>80 L \pm 0.50	
32	31.975 31.936	32.062 32.000	36	36.025 36.000		35	E93/E94 3235
						40	E93/E94 3240
						50	E93/E94 3250
35	34.975 34.936	35.062 35.000	39	39.025 39.000		15	E93/E94 3515
						20	E93/E94 3525
						25	E93/E94 3525
						30	E93/E94 3530
						35	E93/E94 3535
						40	E93/E94 3540
						50	E93/E94 3550
40	39.975 39.936	40.062 40.000	44	44.025 44.000		20	E93/E94 4020
						25	E93/E94 4025
						30	E93/E94 4030
						35	E93/E94 4035
						40	E93/E94 4040
45	44.975 44.936	45.062 45.000	50	50.025 50.000		50	E93/E94 4050
						20	E93/E94 4520
						25	E93/E94 4525
						30	E93/E94 4530
						35	E93/E94 4535
						40	E93/E94 4540
						50	E93/E94 4550
50	49.975 49.936	50.062 50.000	55	55.025 55.000		20	E93/E94 4520
						25	E93/E94 4525
						30	E93/E94 4530
						35	E93/E94 4535
						40	E93/E94 4540
						50	E93/E94 4550
						60	E93/E94 4560
55	54.970 54.924	55.074 55.000	60	60.030 60.000		20	E93/E94 5020
						25	E93/E94 5025
						30	E93/E94 5030
						35	E93/E94 5035
						40	E93/E94 5040
						50	E93/E94 5050
						60	E93/E94 5060
55	54.970 54.924	55.074 55.000	60	60.030 60.000	+0.100 +0.055	20	E93/E94 5520
						25	E93/E94 5525
						30	E93/E94 5530
						35	E93/E94 5535
						40	E93/E94 5540
						50	E93/E94 5550
						60	E93/E94 5560



内径 Internal Diameter			外径 External Diameter			高度 Length	型号 Part No
内径 d	装配轴径 Shaft- Φd_s	装配后内孔尺寸 Φd_i (H9)	外径 D	装配座孔 Housing- ΦD_H	理论外径公差 O.D. ΦD_i	ID<80 L \pm 0.25 ID>80 L \pm 0.50	
60	59.970 59.924	60.074 60.000	65	65.030 65.000		25	E93/E94 6025
						30	E93/E94 6030
						35	E93/E94 6035
						40	E93/E94 6040
						50	E93/E94 6050
						60	E93/E94 6060
						70	E93/E94 6070
65	64.970 64.924	65.074 65.000	70	70.030 70.000		30	E93/E94 6530
						35	E93/E94 6535
						40	E93/E94 6540
						50	E93/E94 6550
						60	E93/E94 6560
						70	E93/E94 6570
						80	E93/E94 6580
70	69.970 69.924	70.074 70.000	75	75.030 75.000	+0.100 +0.055	30	E93/E94 7030
						35	E93/E94 7035
						40	E93/E94 7040
						50	E93/E94 7050
						60	E93/E94 7060
						70	E93/E94 7070
						80	E93/E94 7080
75	74.970 74.924	75.074 75.000	80	80.030 80.000		30	E93/E94 7530
						35	E93/E94 7535
						40	E93/E94 7540
						50	E93/E94 7550
						60	E93/E94 7560
						70	E93/E94 7570
						80	E93/E94 7580
80	79.970 79.924	80.074 80.000	85	85.030 85.000		30	E93/E94 8030
						35	E93/E94 8035
						40	E93/E94 8040
						50	E93/E94 8040
						60	E93/E94 8060
						70	E93/E94 8070
						80	E93/E94 8080



内径 Internal Diameter			外径 External Diameter			高度 Length	型号 Part No
内径 d	装配轴径 Shaft- Φd_s	装配后内孔尺寸 Φd_i (H9)	外径 D	装配座孔 Housing- ΦD_H	理论外径公差 O.D. ΦD_t	ID<80 L \pm 0.25 ID>80 L \pm 0.50	
85	84.964 84.910	85.087 85.000	90	90.035 90.000		30	E93/E94 8530
						35	E93/E94 8535
						40	E93/E94 8540
						50	E93/E94 8550
						60	E93/E94 8560
						70	E93/E94 8570
						80	E93/E94 8580
						90	E93/E94 8590
90	89.964 89.910	90.087 90.000	95	95.035 95.000		30	E93/E94 9030
						35	E93/E94 9035
						40	E93/E94 9040
						50	E93/E94 9050
						60	E93/E94 9060
						70	E93/E94 9070
						80	E93/E94 9080
						90	E93/E94 9090
95	94.964 94.910	95.087 95.000	100	100.035 100.000	+0.120 +0.070	40	E93/E94 9540
						50	E93/E94 9550
						60	E93/E94 9560
						70	E93/E94 9570
						80	E93/E94 9580
						90	E93/E94 9590
						100	E93/E94 95100
						100	99.964 99.910
60	E93/E94 10060						
70	E93/E94 10070						
80	E93/E94 10080						
90	E93/E94 10090						
100	E93/E94 100100						
105	104.964 104.910	105.087 105.000	110	110.035 110.000		50	E93/E94 10550
						60	E93/E94 10560
						70	E93/E94 10570
						80	E93/E94 10580
						90	E93/E94 10590
						100	E93/E94 105100



内径 Internal Diameter			外径 External Diameter			高度 Length	型号 Part No
内径 d	装配轴径 Shaft- Φd_s	装配后内孔尺寸 Φd_i (H9)	外径 D	装配座孔 Housing- ΦD_H	理论外径公差 O.D. ΦD_i	ID<80 L \pm 0.25 ID>80 L \pm 0.50	
110	109.964 109.910	110.087 110.000	115	115.035 115.000		50	E93/E94 11050
						60	E93/E94 11060
						70	E93/E94 11070
						80	E93/E94 11080
						90	E93/E94 11090
						100	E93/E94 110100
115	114.964 114.910	115.087 115.000	120	120.035 120.000	+0.120 +0.070	50	E93/E94 11550
						60	E93/E94 11560
						70	E93/E94 11570
						80	E93/E94 11580
						90	E93/E94 11590
						100	E93/E94 115100
120	119.964 119.910	120.087 120.000	125	125.035 125.000		60	E93/E94 12060
						70	E93/E94 12070
						80	E93/E94 12080
						90	E93/E94 12090
						100	E93/E94 120100
						125	124.957 124.894
70	E93/E94 12570						
80	E93/E94 12580						
90	E93/E94 12590						
100	E93/E94 125100						
130	129.957 129.894	130.100 130.000	135	135.040 135.000	+0.170 +0.100		
						70	E93/E94 13070
						80	E93/E94 13080
						90	E93/E94 13090
						100	E93/E94 130100
						135	134.957 134.894
70	E93/E94 13570						
80	E93/E94 13580						
90	E93/E94 13590						
100	E93/E94 135100						
140	139.957 139.894	140.100 140.000	145	145.040 145.000			
						70	E93/E94 14070
						80	E93/E94 14080



内径 Internal Diameter			外径 External Diameter			高度 Length	型号 Part No
内径 d	装配轴径 Shaft- Φd_s	装配后内孔尺寸 Φd_i (H9)	外径 D	装配座孔 Housing- ΦD_H	理论外径公差 O.D. ΦD_t	ID<80 L \pm 0.25	
						ID>80 L \pm 0.50	
140	139.957 139.894	140.100 140.000	145	145.040 145.000		90	E93/E94 14090
						95	E93/E94 14095
						100	E93/E94 140100
145	144.957 144.894	145.100 145.000	150	150.040 150.000		60	E93/E94 14560
						70	E93/E94 14570
						80	E93/E94 14580
						90	E93/E94 14590
						100	E93/E94 145100
150	149.957 149.894	150.100 150.000	155	155.040 155.000		60	E93/E94 15060
						70	E93/E94 15070
						80	E93/E94 15080
						90	E93/E94 15090
						100	E93/E94 150100
155	154.957 154.894	155.100 155.000	160	160.040 160.000		60	E93/E94 15560
						70	E93/E94 15570
						80	E93/E94 15580
						90	E93/E94 15590
						100	E93/E94 155100
160	159.957 159.894	160.100 160.000	165	165.040 165.000		60	E93/E94 16060
						70	E93/E94 16070
						80	E93/E94 16080
						90	E93/E94 16090
						100	E93/E94 160100
165	164.957 164.894	165.100 165.000	170	170.040 170.000		60	E93/E94 16560
						70	E93/E94 16570
						80	E93/E94 16580
						90	E93/E94 16590
						100	E93/E94 165100
170	169.957 169.894	170.100 170.000	175	175.040 175.000		60	E93/E94 17060
						70	E93/E94 17070
						80	E93/E94 17080
						90	E93/E94 17090
						100	E93/E94 170100
175	174.957 174.894	175.100 175.000	180	180.040 180.000		60	E93/E94 17560
						70	E93/E94 17570



内径 Internal Diameter			外径 External Diameter			高度 Length	型号 Part No
内径 d	装配轴径 Shaft- Φd_s	装配后内孔尺寸 Φd_i (H9)	外径 D	装配座孔 Housing- ΦD_H	理论外径公差 O.D. ΦD_i	ID<80 L \pm 0.25 ID>80 L \pm 0.50	
175	174.957 174.894	175.100 175.000	180	180.040 180.000		80	E93/E94 17580
						85	E93/E94 17585
						90	E93/E94 17590
						100	E93/E94 175100
180	179.957 179.894	180.100 180.000	185	185.040 185.000	+0.170 +0.100	60	E93/E94 18060
						70	E93/E94 18070
						80	E93/E94 18080
						90	E93/E94 18090
						100	E93/E94 180100
185	184.950 184.878	185.115 185.000	190	190.046 190.000		60	E93/E94 18560
						65	E93/E94 18565
						70	E93/E94 18570
						80	E93/E94 18580
						90	E93/E94 18590
190	189.950 189.878	190.115 190.000	195	195.046 195.000		100	E93/E94 185100
						60	E93/E94 19060
						70	E93/E94 19070
						80	E93/E94 19080
						90	E93/E94 19090
195	194.950 194.878	195.115 195.000	200	200.046 200.000	+0.210 +0.130	100	E93/E94 190100
						60	E93/E94 19560
						70	E93/E94 19570
						80	E93/E94 19580
						90	E93/E94 19590
200	199.950 199.878	200.115 200.000	205	205.046 205.000		100	E93/E94 195100
						60	E93/E94 20060
						70	E93/E94 20070
						80	E93/E94 20080
						90	E93/E94 20090
205	204.950 204.878	205.115 205.000	210	210.046 210.000		100	E93/E94 200100
						60	E93/E94 20560
						70	E93/E94 20570
						80	E93/E94 20580
						90	E93/E94 20590
						100	E93/E94 205100



内径 Internal Diameter			外径 External Diameter			高度 Length	型号 Part No
内径 d	装配轴径 Shaft- Φd_s	装配后内孔尺寸 Φd_i (H9)	外径 D	装配座孔 Housing- ΦD_H	理论外径公差 O.D. ΦD_t	ID<80 L \pm 0.25 ID>80 L \pm 0.50	
215	214.950 214.878	215.115 215.000	220	220.046 220.000		60	E93/E94 21560
						70	E93/E94 21570
						80	E93/E94 21580
						90	E93/E94 21590
						100	E93/E94 215100
225	224.950 224.878	225.115 225.000	230	230.046 230.000		60	E93/E94 22560
						70	E93/E94 22570
						80	E93/E94 22580
						90	E93/E94 22590
						100	E93/E94 225100
230	229.950 229.878	230.115 230.000	235	235.046 235.000	+0.210 +0.130	60	E93/E94 23060
						70	E93/E94 23070
						80	E93/E94 23080
						90	E93/E94 23090
						100	E93/E94 230100
240	239.950 239.878	240.115 240.000	245	245.046 245.000		60	E93/E94 24060
						70	E93/E94 24070
						80	E93/E94 24080
						90	E93/E94 24090
						100	E93/E94 240100
250	249.950 249.878	250.115 250.000	255	255.046 255.000		60	E93/E94 25060
						70	E93/E94 25070
						80	E93/E94 25080
						90	E93/E94 25090
						100	E93/E94 250100
260	259.944 259.863	260.130 260.000	265	265.052 265.000		60	E93/E94 26060
						70	E93/E94 26070
						80	E93/E94 26080
						90	E93/E94 26090
						100	E93/E94 260100
270	269.944 269.863	270.130 270.000	275	275.052 275.000	+0.260 +0.170	60	E93/E94 27060
						70	E93/E94 27070
						80	E93/E94 27080
						90	E93/E94 27090
						100	E93/E94 270100



内径 Internal Diameter			外径 External Diameter			高度 Length	型号 Part No
内径 d	装配轴径 Shaft- Φd_s	装配后内孔尺寸 Φd_i (H9)	外径 D	装配座孔 Housing- ΦD_H	理论外径公差 O.D. ΦD_t	ID<80 L \pm 0.25 ID>80 L \pm 0.50	
280	279.944 279.863	280.130 280.000	285	285.052 285.000		60	E93/E94 28060
						70	E93/E94 28070
						80	E93/E94 28080
						90	E93/E94 28090
						100	E93/E94 280100
290	289.944 289.863	290.130 290.000	295	295.052 295.000	+0.260 +0.170	60	E93/E94 29060
						70	E93/E94 29070
						80	E93/E94 29080
						90	E93/E94 29090
						100	E93/E94 290100
300	299.944 289.863	300.130 300.000	305	305.052 305.000		60	E93/E94 30060
						70	E93/E94 30070
						80	E93/E94 30080
						90	E93/E94 30090
						100	E93/E94 300100